

# DATA SHEET

## **UAA2067G**

**Image reject 1 800 MHz transceiver  
for DECT applications**

Product specification  
Supersedes data of 1995 Sep 18  
File under Integrated Circuits, IC17

1996 Oct 22

## Image reject 1800 MHz transceiver for DECT applications

### UAA2067G

#### FEATURES

- Receiver with:
  - low noise amplifier
  - dual quadrature mixers for image rejection (lower sideband)
  - I and Q combining networks at a fixed IF
- Both high-frequency and low-frequency VCOs including buffers with good isolation for low pulling
- Transmitter with:
  - dual quadrature mixers for image rejection (lower sideband)
  - amplitude ramping circuit
  - amplifier with high output power.

#### APPLICATIONS

- 1800 MHz transceiver for DECT hand-portable equipment
- TDMA systems.

#### GENERAL DESCRIPTION

The UAA2067G is a low-power transceiver intended for use in portable and base station transceivers complying with the DECT system. The IC performs in accordance with specifications in the  $-30$  to  $+85^{\circ}\text{C}$  temperature range.

The UAA2067G contains a front-end receiver for the 1800 to 1900 MHz frequency range, a high-frequency VCO for the 1650 to 1850 MHz range, a low-frequency VCO for the 100 to 140 MHz frequency range and a transmitter with a high-output power amplifier driver stage for the 1800 to 1900 MHz frequency range. Designed in an advanced BiCMOS process, it combines high performance with low-power consumption and a high degree of integration, thus reducing external component costs and total radio size.

Its first advantage is to provide typically 34 dB of image rejection in the receiver path. Thus, the image filter between the LNA and the mixer is redundant and consequently can be removed. The receive section

consists of a low-noise amplifier that drives a quadrature mixer pair. Image rejection is achieved by this RF mixer pair and the two phase shifters in the I and Q channels that phase shift the IF by  $45^{\circ}$  and  $135^{\circ}$  respectively. The two phase shifted IFs are recombined and buffered to furnish the IF output signal.

Signals presented at the RF input at  $\text{LO} - \text{IF}$  frequency are rejected through this signal processing while signals at  $\text{LO} + \text{IF}$  frequency can form the IF signal.

Its second advantage is to provide a good buffered high-frequency VCO signal to the RX and TX mixers and to the synthesizer-prescaler. Switching the receive or transmit section **on** gives a very small change in VCO frequency.

Its third advantage is to provide a good buffered low-frequency VCO signal to the TX mixers, to the synthesizer-prescaler and the second down conversion mixer in a double conversion receiver. Switching the transmit section **on** gives a very small change in VCO frequency.

The frequency of each VCO is determined by a resonator network that is external to the IC. Each VCO has a regulated power supply voltage that has been designed specifically for minimizing a change in frequency due to changes in the power supply voltage, which may be caused for instance by switching **on** the power amplifier.

Its fourth advantage is to provide typically 33 dBc of image rejection in the single-sideband up-conversion mixer. Thus the image filter between the power amplifier and the antenna is redundant and may consequently be removed. Image rejection is achieved in the internal architecture by two RF mixers in quadrature and two phase shifters in the low-frequency VCO signal that shifts the phase to  $0^{\circ}$  and  $90^{\circ}$ . The output signals of the mixers are summed to form the single-upper-sideband output signal.

The output stage is a high-level output buffer with an output power of approximately 4 dBm. The output level is sufficient to drive a three-stage bipolar preamplifier for DECT.

#### ORDERING INFORMATION

TYPE NUMBER	PACKAGE		
	NAME	DESCRIPTION	VERSION
UAA2067G	LQFP32	plastic low profile quad flat package; 32 leads; body $5 \times 5 \times 1.4$ mm	SOT401-1

# Image reject 1 800 MHz transceiver for DECT applications

UAA2067G

**QUICK REFERENCE DATA**

For conditions see Chapters "DC characteristics" and "AC characteristics".

SYMBOL	PARAMETER	MIN.	TYP.	MAX.	UNIT
$V_{CC}$	supply voltage	3.0	3.6	5.5	V
$I_{CC(RX)}$	receive supply current	–	24	–	mA
$I_{CC(TX)}$	transmit supply current	–	42	–	mA
$I_{CC(RFLO)}$	RF oscillator supply current	–	15	–	mA
$I_{CC(IFLO)}$	IF oscillator supply current	–	7	–	mA
$NF_{RX}$	receive noise figure	–	–	7.0	dB
$G_{CP}$	conversion power gain	–	30	–	dB
$IR_{RX}$	receive image frequency rejection	–	34	–	dB
$f_{RFLO}$	RFLO frequency range	1.65	–	1.85	GHz
$f_{IFLO}$	IFLO frequency range	100	–	140	MHz
$P_{out}$	output transmit power	–	4	–	dBm
$IR_{TX}$	transmit image frequency rejection	–	33	–	dBc
$T_{amb}$	operating ambient temperature	–30	+25	+85	°C

# Image reject 1800 MHz transceiver for DECT applications

## UAA2067G

### BLOCK DIAGRAM

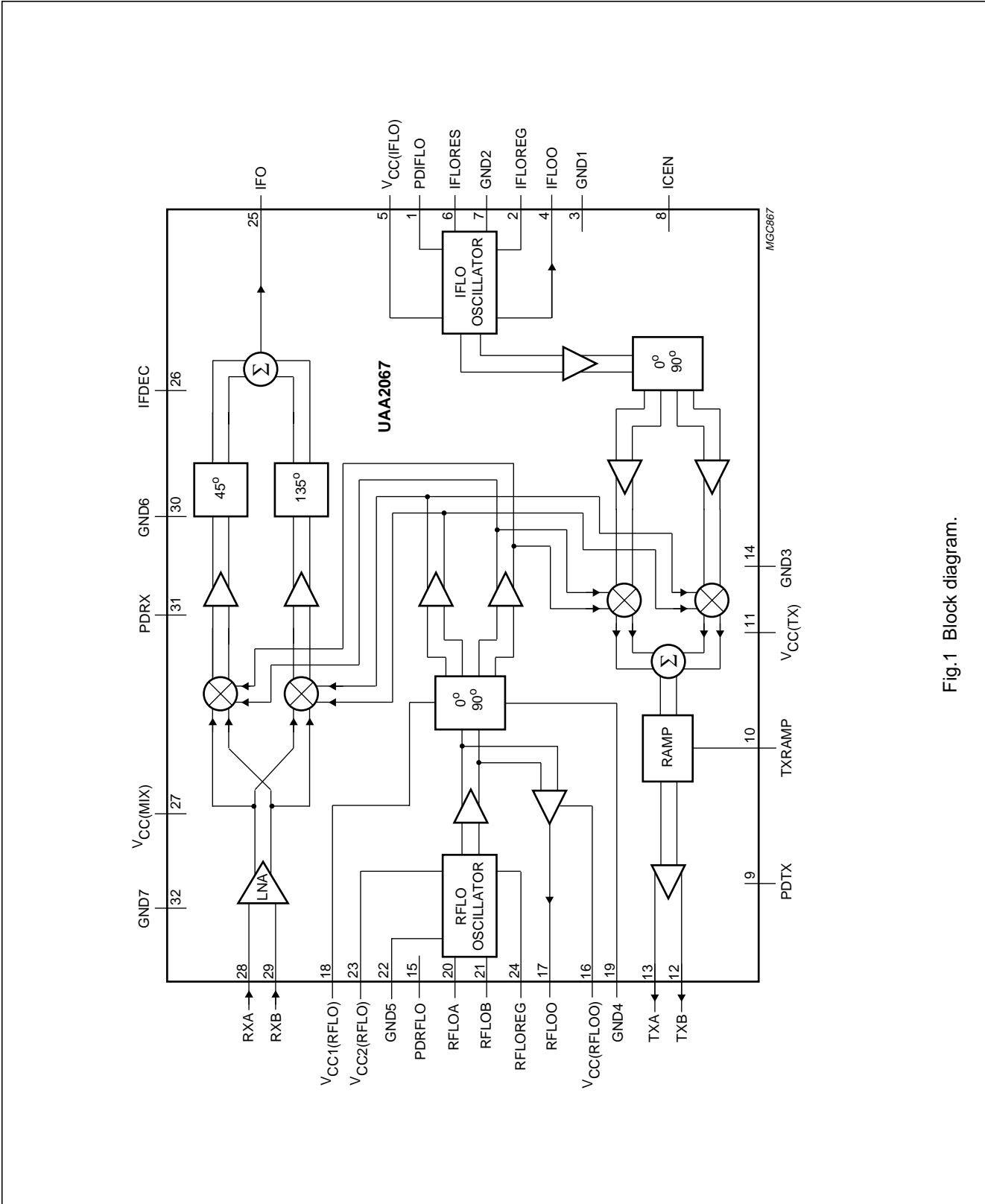


Fig.1 Block diagram.

# Image reject 1 800 MHz transceiver for DECT applications

UAA2067G

**PINNING**

SYMBOL	PIN	DESCRIPTION
PDIFLO	1	power-down for IFLO
IFLOREG	2	regulator decoupling for IFLO
GND1	3	ground for IFLO; note 1
IFLOO	4	IFLO output
V <sub>CC(IFLO)</sub>	5	supply voltage for IFLO
IFLORES	6	IFLO resonator
GND2	7	ground for IFLO resonator; note 1
ICEN	8	IC enable
PDTX	9	power-down for transmitter
TXRAMP	10	power ramping transmitter
V <sub>CC(TX)</sub>	11	supply voltage for transmitter output stage; note 2
TXB	12	transmitter RF output B
TXA	13	transmitter RF output A
GND3	14	ground for transmitter output stage
PDRFLO	15	power-down for RFLO
V <sub>CC(RFLOO)</sub>	16	supply voltage for RFLO output
RFLOO	17	RFLO output
V <sub>CC1(RFLO)</sub>	18	supply voltage for RFLO oscillator; note 3
GND4	19	ground for RFLO oscillator; note 4
RFLOA	20	RFLO resonator
RFLOB	21	RFLO resonator
GND5	22	ground for RFLO oscillator; note 4
V <sub>CC2(RFLO)</sub>	23	supply voltage for RFLO oscillator; note 3
RFLOREG	24	regulator decoupling for RFLO
IFO	25	receiver IF output
IFDEC	26	IF decoupling
V <sub>CC(MIX)</sub>	27	supply voltage for receive and transmit mixers; note 2
RXA	28	receiver RF input A
RXB	29	receiver RF input B
GND6	30	ground for receive and transmit mixers
PDRX	31	power-down for receiver
GND7	32	die-pad ground

**Notes**

1. Pins 3 and 7 are internally short-circuited.
2. Pins 11 and 27 should be at the same DC voltage.
3. Pins 18 and 23 are internally short-circuited.
4. Pins 19 and 22 are internally short-circuited.

Image reject 1 800 MHz transceiver  
for DECT applications

UAA2067G

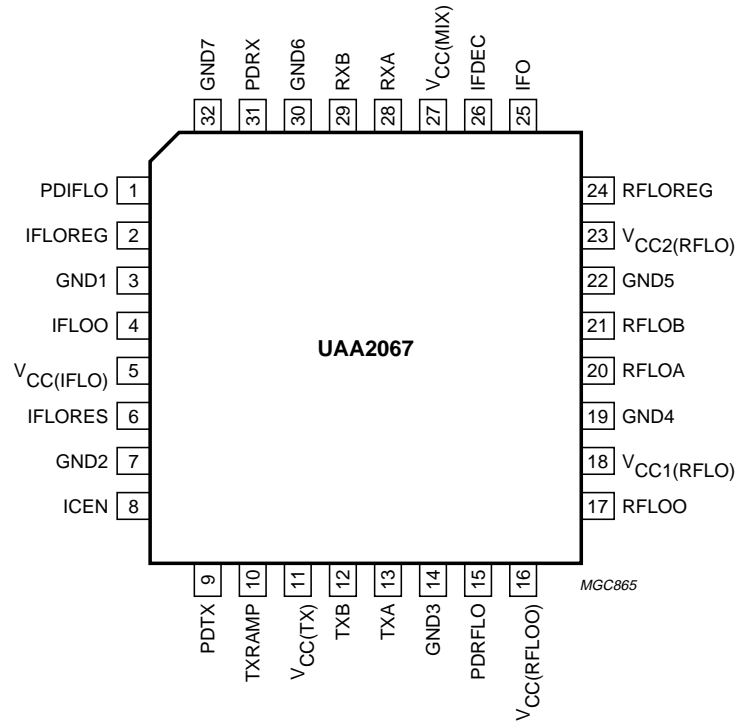


Fig.2 Pin configuration.

## Image reject 1 800 MHz transceiver for DECT applications

UAA2067G

### FUNCTIONAL DESCRIPTION

#### Receive section

The circuit contains a balanced low-noise amplifier followed by two high dynamic range mixers. The local oscillator signals, shifted in phase to 0 and 90° mix the amplified RF signal to the I and Q channels. These two channels are buffered, phase shifted by 45° and 135° respectively, amplified and recombined internally to realize the image rejection. Signals at the RF input at RFLO – IF frequencies are rejected through the signal processing while signals at the RFLO + IF frequencies form the IF signals.

An image rejection of typically 34 dB is obtained for an IF between 100 and 120 MHz.

Balanced signals are used for minimizing crosstalk due to package parasitics. The IF output is single-ended. The typical load is 50 Ω.

Fast switching, **on/off** of the receive section is controlled by the hardware input PDRX.

#### RFLO section

The high-frequency oscillator (RFLO oscillator) supplies the local oscillator signal for the down-conversion (receive) and up-conversion (transmit) mixers. This VCO uses an on-chip regulator for a power-supply voltage-independent output frequency. The buffered VCO signal is fed into a phase shifter and an off-chip prescaler-synthesizer. The output signal of the phase-shifter is used for driving the RX and TX mixers. Due to the good isolation in the buffer stages, a very small change in VCO frequency is obtained when switching the RX and TX mixers **on**.

Fast switching, **on/off** of the oscillator section is controlled by the hardware input PDRFLO.

#### IFLO section

The low-frequency oscillator (IFLO oscillator) internally supplies the local oscillator signal to the single-sideband transmit mixer. The buffered VCO signal is fed into a phase shifter. The output signal of the phase-shifter is used for driving the TX mixers.

Due to the good isolation in the buffer stages, a very small change in VCO frequency is obtained when switching the TX mixer **on**.

Fast switching **on/off** of the oscillator section is controlled by the hardware input PDIFLO input.

#### Transmit section

The circuit contains two balanced mixers, each of which is driven by the RFLO and IFLO signals. The output signal of the two mixers is summed and buffered to obtain the single upper-sideband signal at frequency RFLO + IFLO.

With the use of an off-chip time constant, the ramping circuit defines the power ramp-up and ramp-down of the pre-amplifier output signal.

Balanced signals are used for minimizing crosstalk due to package parasitics.

Fast switching, **on/off**, of the transmit section is controlled by the hardware input PDTX.

The power supply voltage of the transmit mixers, the adding circuit and ramping circuit is taken from the  $V_{CC(MIX)}$  and GND6 for maximum isolation from the preamplifier output stage.

### OPERATING MODES

To use the IC, **all**  $V_{CC}$  pins must be connected to the supply voltage.

For transceiving a DECT signal, the RFLO and IFLO sections should be powered-on. After a stable frequency has been reached (mainly determined by the synthesizer design), the receiver or transmitter can be powered-on.

GMSK data modulation can be supplied in two different ways: the data is directly modulated on IFLO or RFLO.

The ramping of the power level can be set with a time constant that is external to the IC.

Table 1 gives the definition of the polarity of the switching signals on the receive, the RFLO, the IFLO and the transmit sections.

# Image reject 1 800 MHz transceiver for DECT applications

UAA2067G

**Table 1** Switching signals on the receiver

SIGNAL	SECTION	LEVEL	on/off
PDRX	receive section powered-on	LOW	on <sup>(1)</sup>
	receive section powered-off	HIGH	off
PDRFLO	RFLO section powered-on	LOW	on <sup>(1)</sup>
	RFLO section powered-off	HIGH	off
PDIFLO	IFLO section powered-on	LOW	on <sup>(1)</sup>
	IFLO section powered-off	HIGH	off
PDTX	transmit section powered-on	LOW	on <sup>(1)</sup>
	transmit section powered-off	HIGH	off
ICEN	all sections disabled	LOW	off
	all sections enabled	HIGH	on

**Note**

- Active when ICEN is enabled.

**LIMITING VALUES**

In accordance with the Absolute Maximum Rating System (IEC 134).

SYMBOL	PARAMETER	CONDITIONS	MIN.	MAX.	UNIT
V <sub>CC</sub>	supply voltage		–	6	V
ΔGND	difference in ground supply voltage applied between all grounds	note 1	–	+ 0.3	V
P <sub>I(max)</sub>	maximum power input		–	+20	dBm
T <sub>j(max)</sub>	maximum operating junction temperature		–	+150	°C
P <sub>dis(max)</sub>	maximum power dissipation in stagnant air at 25°C		–	500	mW
T <sub>stg</sub>	storage temperature		–65	+150	°C

**Note**

- Pins short-circuited internally must be short-circuited externally.

**THERMAL CHARACTERISTICS**

SYMBOL	PARAMETER	VALUE	UNIT
R <sub>th j-a</sub>	thermal resistance from junction to ambient in free air	90	K/W

**HANDLING**

Every pin withstands the ESD test in accordance with “MIL-STD-883C class 2 (method 3015.5)”.



# Image reject 1 800 MHz transceiver for DECT applications

UAA2067G

## DC CHARACTERISTICS

$V_{CC} = 3.6\text{ V}$ ;  $T_{amb} = 25\text{ }^{\circ}\text{C}$ ; unless otherwise specified.

SYMBOL	PARAMETER	CONDITIONS	MIN.	TYP.	MAX.	UNIT
<b>Pins: <math>V_{CC(MIX)}</math>, <math>V_{CC(TX)}</math>, <math>V_{CC(IFLO)}</math>, <math>V_{CC1(RFLO)}</math>, <math>V_{CC2(RFLO)}</math> and <math>V_{CC(RFLOO)}</math></b>						
$V_{CC}$	supply voltage	over full temperature range	3.0	3.6	5.5	V
$I_{CC(RX)}$	supply current	receive section <b>on</b> ; DC tested	18	24	30	mA
$I_{CC(RFLO)}$	supply current RFLO	RFLO section <b>on</b> ; DC tested	11	15	20	mA
$I_{CC(IFLO)}$	supply current IFLO	IFLO section <b>on</b> ; DC tested	5	7	9	mA
$I_{CC(TX)}$	supply current	transmit section <b>on</b> ; DC tested	34	42	54	mA
$I_{CC(PD)}$	supply current	power-down mode; DC tested	–	2	50	$\mu\text{A}$
<b>Pins: PDRX, PDTX, PDRFLO, PDIFLO and ICEN</b>						
$V_{IH}$	HIGH level input voltage		2.1	–	$V_{CC} + 0.3$	V
$V_{IL}$	LOW level input voltage		–0.3	–	0.8	V
$I_{IH}$	HIGH level static input current	pin at $V_{CC} - 0.4\text{ V}$	–1	–	+1	$\mu\text{A}$
$I_{IL}$	LOW level static input current	pin at 0.4 V	–1	–	+1	$\mu\text{A}$
<b>Pins: RXA, RXB, IFO and IFDEC</b>						
$V_{RXA,B}$	DC input voltage level	receive section <b>on</b>	2.1	2.4	2.7	V
$V_{IFO}$	DC output voltage level	receive section <b>on</b>	0.9	1.1	1.3	V
$V_{IFDEC}$	DC level	receive section <b>on</b>	2.45	2.65	2.85	V
<b>Pins: RFLOA, RFLOB, RFLOREG and RFLOO</b>						
$I_{RFLOA,B}$	DC current	RFLO section <b>on</b>	1	2	3	mA
$V_{RFLOREG}$	DC level	RFLO section <b>on</b>	2.45	2.65	2.85	V
$V_{RFLOO}$	DC output voltage level	RFLO section <b>on</b>	2.8	3.1	3.4	V
<b>Pins: IFLORES, IFLOREG and IFLOO</b>						
$V_{IFLORES}$	DC level	IFLO section <b>on</b>	1.85	2.1	2.3	V
$V_{IFLOREG}$	DC level	IFLO section <b>on</b>	2.35	2.55	2.8	V
$V_{IFLOO}$	DC output voltage level	IFLO section <b>on</b>	2.2	2.45	2.7	V
<b>Pins: TXA, TXB and TXRAMP</b>						
$I_{TXA,B}$	DC output current	transmit section <b>on</b>	2	10	18	mA
$I_{TXRAMP}$	DC input current	$V_{TXRAMP} = 3\text{ V}$ ; transmit section <b>on</b>	–	–	200	$\mu\text{A}$

# Image reject 1 800 MHz transceiver for DECT applications

UAA2067G

**AC CHARACTERISTICS** $V_{CC} = 3.0$  to  $5.5$  V;  $T_{amb} = -30$  to  $+85^{\circ}\text{C}$ ; unless otherwise specified.

SYMBOL	PARAMETER	CONDITIONS	MIN.	TYP.	MAX.	UNIT
<b>Receive mode (receive and RFLO sections powered-on)</b>						
$f_{RFI}$	RF input frequency		1 800	–	1 900	MHz
$R_{iRF}$	RF input resistance (real part of the parallel input impedance)	balanced; at 1 890 MHz	–	190	–	$\Omega$
$C_{iRF}$	RF input capacitance (imaginary part of the parallel input impedance)	balanced; at 1 890 MHz	–	0.8	–	pF
$PRFLO_{RX}$	RFLO level at input to RX balun	note 1	–	–70	–40	dBm
$DES3_{RX}$	RF interference for 3 dB desensitization	interference frequency offset 6 MHz; note 1	–	–35	–	dBm
$G_{CP}$	conversion power gain	RF input to IF output (typical load) over full temperature range $T_{amb} = 25^{\circ}\text{C}$	24 27	30 30	36 33	dB dB
$CP1_{RX}$	1 dB input compression point	referenced to RF input; note 1	–36	–33	–	dBm
$P_{o(RX)}$	IF power for $CP1_{RX} < P_{in} < +8$ dBm	referenced to IF power at $CP1_{RX}$ ; note 1	–6	–	+6	dB
$t_{rec}$	recovery time for $P_{in} = +12$ dBm	note 1	–	2	30	$\mu\text{s}$
$IP2-2_{RX}$	mixer 2-2 spurious intercept point	referenced to the RF input; note 1	–6	+2	–	dBm
$IP3_{RX}$	3rd order intercept point	referenced to the RF input; note 1	–30	–25	–	dBm
$NF_{RX}$	overall noise figure	RF input to IF output; note 1	–	5.8	7	dB
$f_{IF}$	IF frequency range		100	110	120	MHz
$Z_{L(IF)}$	typical application IF output load impedance	$f_{IF} = 110$ MHz	–	50	–	$\Omega$
$IR_{RX}$	image frequency rejection	over full temperature range	20	34	–	dB
		$T_{amb} = 25^{\circ}\text{C}$	23	34	–	dB
$PSRR$	power supply rejection ratio	note 1; typical load; at 110 MHz	35	–	–	dB

# Image reject 1 800 MHz transceiver for DECT applications

UAA2067G

SYMBOL	PARAMETER	CONDITIONS	MIN.	TYP.	MAX.	UNIT
<b>RF local oscillator (RFLO section powered-on)</b>						
$f_{\text{RFLO}(\text{min})}$	minimum oscillator frequency range		1650	–	1850	MHz
$R_{i(\text{RFLO})}$	oscillator input resistance (real part of the parallel input impedance)	balanced; at 1.77 GHz	–	–250	–	$\Omega$
$C_{i(\text{RFLO})}$	oscillator input capacitance (imaginary part of the parallel input impedance)	balanced; at 1.77 GHz	–	2.7	–	pF
$V_{o(\text{RFLO})}$	local oscillator output level at pin 17; RMS value	note 2; typical load resistance	50	75	–	mV
$Z_{o(\text{RFLO})}$	local oscillator output impedance at pin 17	at 1.77 GHz	–	30 – 60j	–	$\Omega$
$R_{L(\text{RFLO})}$	typical load resistance		–	300	–	$\Omega$
$\text{HAR}_{(\text{RFLO})}$	harmonic levels at RFLO output (pin 17)	note 1	–	–	–20	dBc
<b>IF local oscillator (IFLO section powered-on)</b>						
$f_{\text{IFLO}(\text{min})}$	minimum oscillator frequency range		100	120	140	MHz
$R_{i(\text{IFLO})}$	oscillator input resistance (real part of the parallel input impedance)		–	–480	–	$\Omega$
$C_{i(\text{IFLO})}$	oscillator input capacitance (imaginary part of the parallel input impedance)		–	2.1	–	pF
$V_{o(\text{IFLO})}$	IF local oscillator output level at pin 4; RMS value		100	160	–	mV
$Z_{o(\text{IFLO})}$	local oscillator output impedance (real part)		–	–	100	$\Omega$
$R_{L(\text{IFLO})}$	typical load resistance		–	5	–	k $\Omega$
$C_{L(\text{IFLO})}$	typical load capacitance		–	7	–	pF
$\text{HAR}_{(\text{IFLO})}$	harmonic levels at IFLO output	note 1	–	–	–15	dBc

# Image reject 1 800 MHz transceiver for DECT applications

UAA2067G

SYMBOL	PARAMETER	CONDITIONS	MIN.	TYP.	MAX.	UNIT
<b>Transmit mode (transmit, RFLO and IFLO sections powered-on)</b>						
$f_{TX}$	RF output frequency		1800	–	1900	MHz
$R_{o(TX)}$	RF output resistance (real part of the parallel output impedance)	balanced; note 1	–	110	–	$\Omega$
$C_{o(TX)}$	RF output capacitance (imaginary part of the parallel output impedance)	balanced; note 1	–	0.6	–	pF
$FTRFLO_{TX}$	RFLO feedthrough at the TX output	referenced to the desired frequency; $T_{amb} = 25\text{ }^{\circ}\text{C}$ ; note 1	–	–25	–23	dBc
$P_{out}$	output transmit power	$V_{TXRAMP} = 0\text{ V}$ ; note 1 over full temperature range $T_{amb} = 25\text{ }^{\circ}\text{C}$	–2 1	4 4	8 7	dBm dBm
$IR_{TX}$	image frequency rejection	referenced to the desired frequency; note 1 over full temperature range $T_{amb} = 25\text{ }^{\circ}\text{C}$	20 23	33 33	– –	dBc dBc
$Z_{inTXRAMP}$	input impedance at pin TXRAMP		10	–	–	k $\Omega$
$C_{inTXRAMP}$	input capacitance at pin TXRAMP		–	–	10	pF
$V_{TXRAMP(max)}$	ramp voltage for $P_{out} = P_{max}$		–	0		V
$V_{TXRAMP(min)}$	ramp voltage for $P_{out} = P_{max} - 30\text{ dB}$		–	3.0	–	V
$CNR_{TX}$	carrier-to-noise ratio at TX output	$T_{amb} = 25\text{ }^{\circ}\text{C}$ ; notes 1 and 3	+130	+133	–	dBc/Hz
<b>Timing</b>						
$t_{up}$	start-up/power-down time of each block	over full temperature range	–	5	10	$\mu\text{s}$
$C_i$	input capacitance of logic inputs	over full temperature range	–	–	5	pF

**Notes**

1. Measured and guaranteed only on the Philips demonstration board, including PCB and balun.
2. The imaginary part of the load impedance has been tuned out. A power match is assumed.
3. A simplified DECT type approval measurement is used; the spectrum analyser has the following settings:  
RBW = 100 kHz, VBW = 100 Hz, use delta marker and add 50 dB (correction for RBW = 100 kHz),  $f_{RFLO} = 1.77\text{ GHz}$  and  $f_{IFLO} = 120\text{ MHz}$ ,  $\Delta f = 4.686\text{ MHz}$ .

Image reject 1 800 MHz transceiver  
for DECT applications

UAA2067G

INTERNAL PIN CONFIGURATION

SYMBOL	PIN	DC VOLTAGE (V)	EQUIVALENT CIRCUIT
PDIFLO	1	–	<p style="text-align: right;">MBH672</p>
ICEN	8	–	
PDTX	9	–	
PDRFLO	15	–	
PDRX	31	–	
IFLOREG	2	2.55	<p style="text-align: right;">MBH673</p>
RFLOREG	24	2.65	
IFDEC	26	2.65	
GND	3, 7, 14, 19, 22, 30, 32	0	
IFLOO	4	2.45	<p style="text-align: right;">MBH674</p>
V <sub>CC</sub>	5, 11, 16, 18, 23, 27	3.6	
IFLORES	6	2.1	<p style="text-align: right;">MBH675</p>

Image reject 1 800 MHz transceiver  
for DECT applications

UAA2067G

SYMBOL	PIN	DC VOLTAGE (V)	EQUIVALENT CIRCUIT
TXRAMP	10	-	
TXB	12	$V_{CC}$	
TXA	13	$V_{CC}$	
RFLOO	17	3.1	
RFLOA	20	2.0	
RFLOB	21	2.0	

Image reject 1 800 MHz transceiver  
for DECT applications

UAA2067G

SYMBOL	PIN	DC VOLTAGE (V)	EQUIVALENT CIRCUIT
IFO	25	1.1	
RXA	28	2.4	
RXB	29	2.4	





# Image reject 1 800 MHz transceiver for DECT applications

UAA2067G

## Application-indicative values

Measured on the Philips demonstration board, including PCB and balun at  $T_{amb} = 25\text{ °C}$ .

SYMBOL	PARAMETER	CONDITIONS	MIN.	TYP.	MAX.	UNIT
<b>RF local oscillator (RFLO section powered-on)</b>						
CNR <sub>RFLO</sub>	carrier-to-noise ratio	$\Delta f = 864\text{ kHz}$	–	117	–	dBc/Hz
		$\Delta f = 2500\text{ kHz}$	–	128	–	dBc/Hz
		$\Delta f = 4686\text{ kHz}$	–	134	–	dBc/Hz
PULL <sub>RFLO</sub>	pulling due to enabling RX or TX	$V_{TXRAMP} = 3\text{ V}$	–	5	–	kHz
SHIFT <sub>RFLO</sub>	frequency shift due to 200 mV $V_{CC}$ change		–	5	–	kHz
<b>IF local oscillator (IFLO section powered-on)</b>						
CNR <sub>IFLO</sub>	carrier-to-noise ratio	$\Delta f = 4686\text{ kHz}$	–	140	–	dBc/Hz
SPUR <sub>IFLO</sub>	spurious signal modulation due to 0.5 mV (RMS value) on the power supply	$\Delta f = 4686\text{ kHz}$ ; measured at TX output	–	–60	–	dBc
PULL <sub>IFLO</sub>	pulling due to enabling TX		–	1	–	kHz
SHIFT <sub>IFLO</sub>	frequency shift due to 200 mV $V_{CC}$ change		–	2.5	–	kHz
<b>Transmit mode (transmit, RFLO and IFLO sections powered-on)</b>						
PSRR <sub>TX</sub>	spurious signal modulation due to 0.5 mV (RMS value) on $V_{CC(MIX)}$ , $V_{CC(TX)}$ and $V_{CC(RFLO)}$ only	$\Delta f = 4686\text{ kHz}$ ; note 1	–	–74	–	dBc
SPUR <sub>TX</sub>	spurious signals	RFLO – 3IFLO	–	–40	–	dBc
		RFLO + 2IFLO	–	–35	–	dBc
		RFLO + 5IFLO	–	–51	–	dBc
N <sub>TX</sub>	white noise level at the output		–	135	–	dBc/Hz

## Note

- Including PSRR of the RFLO circuitry.

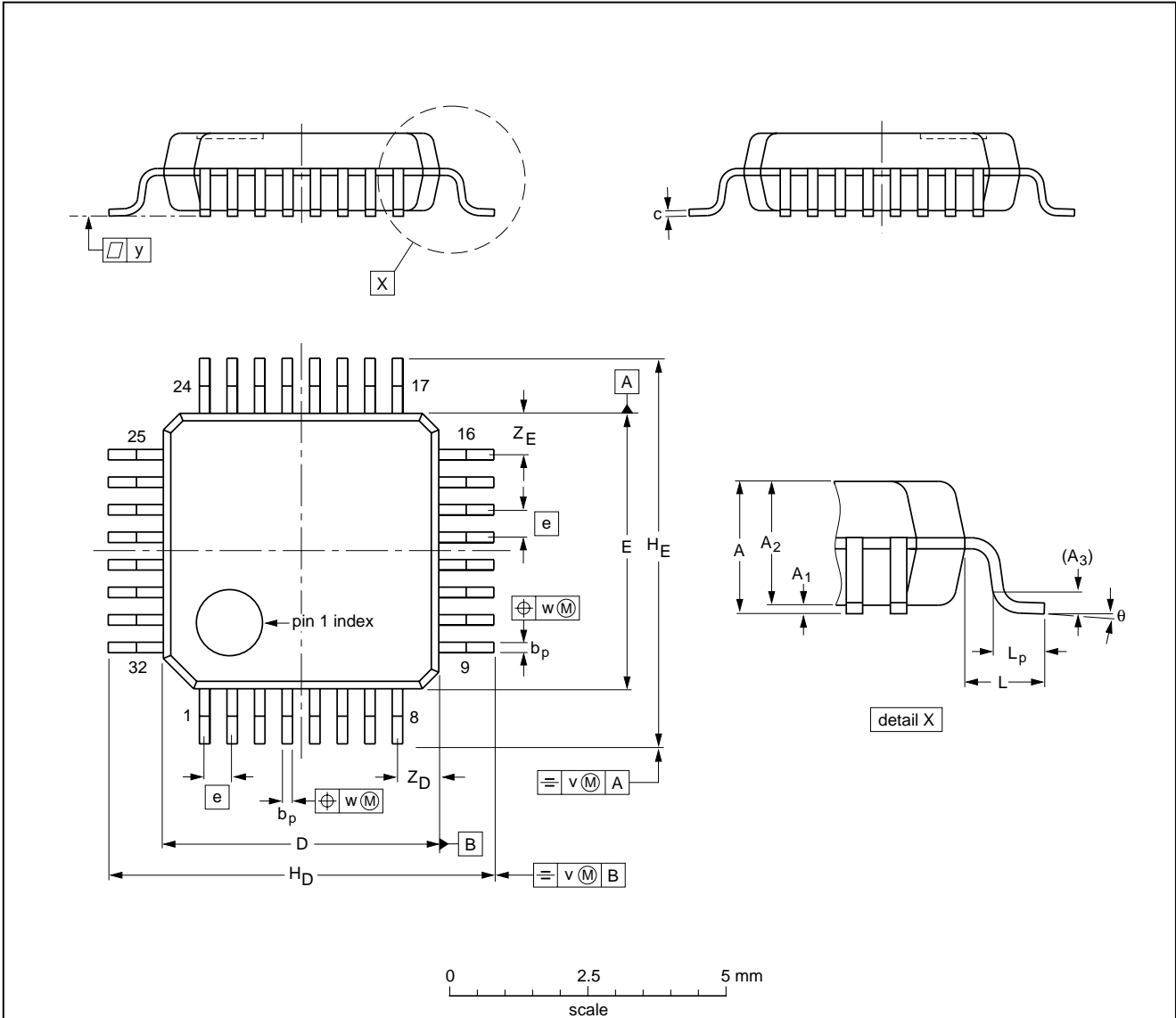
Image reject 1 800 MHz transceiver  
for DECT applications

UAA2067G

PACKAGE OUTLINE

LQFP32: plastic low profile quad flat package; 32 leads; body 5 x 5 x 1.4 mm

SOT401-1



DIMENSIONS (mm are the original dimensions)

UNIT	A max.	A1	A2	A3	bp	c	D <sup>(1)</sup>	E <sup>(1)</sup>	e	HD	HE	L	LP	v	w	y	ZD <sup>(1)</sup>	ZE <sup>(1)</sup>	θ
mm	1.60	0.15 0.05	1.5 1.3	0.25	0.27 0.17	0.18 0.12	5.1 4.9	5.1 4.9	0.5	7.15 6.85	7.15 6.85	1.0	0.75 0.45	0.2	0.12	0.1	0.95 0.55	0.95 0.55	7° 0°

Note

1. Plastic or metal protrusions of 0.25 mm maximum per side are not included.

OUTLINE VERSION	REFERENCES				EUROPEAN PROJECTION	ISSUE DATE
	IEC	JEDEC	EIAJ			
SOT401-1						95-12-19 97-08-04

## Image reject 1 800 MHz transceiver for DECT applications

UAA2067G

### SOLDERING

#### Introduction

There is no soldering method that is ideal for all IC packages. Wave soldering is often preferred when through-hole and surface mounted components are mixed on one printed-circuit board. However, wave soldering is not always suitable for surface mounted ICs, or for printed-circuits with high population densities. In these situations reflow soldering is often used.

This text gives a very brief insight to a complex technology. A more in-depth account of soldering ICs can be found in our "*IC Package Databook*" (order code 9398 652 90011).

#### Reflow soldering

Reflow soldering techniques are suitable for all LQFP packages.

Reflow soldering requires solder paste (a suspension of fine solder particles, flux and binding agent) to be applied to the printed-circuit board by screen printing, stencilling or pressure-syringe dispensing before package placement.

Several techniques exist for reflowing; for example, thermal conduction by heated belt. Dwell times vary between 50 and 300 seconds depending on heating method. Typical reflow temperatures range from 215 to 250 °C.

Preheating is necessary to dry the paste and evaporate the binding agent. Preheating duration: 45 minutes at 45 °C.

#### Wave soldering

Wave soldering is **not** recommended for LQFP packages. This is because of the likelihood of solder bridging due to closely-spaced leads and the possibility of incomplete solder penetration in multi-lead devices.

If wave soldering cannot be avoided, the following conditions must be observed:

- **A double-wave (a turbulent wave with high upward pressure followed by a smooth laminar wave) soldering technique should be used.**
- **The footprint must be at an angle of 45° to the board direction and must incorporate solder thieves downstream and at the side corners.**

**Even with these conditions, do not consider wave soldering LQFP packages LQFP32 (SOT401-1), LQFP48 (SOT313-2), LQFP64 (SOT314-2) or LQFP80 (SOT315-1).**

During placement and before soldering, the package must be fixed with a droplet of adhesive. The adhesive can be applied by screen printing, pin transfer or syringe dispensing. The package can be soldered after the adhesive is cured.

Maximum permissible solder temperature is 260 °C, and maximum duration of package immersion in solder is 10 seconds, if cooled to less than 150 °C within 6 seconds. Typical dwell time is 4 seconds at 250 °C.

A mildly-activated flux will eliminate the need for removal of corrosive residues in most applications.

#### Repairing soldered joints

Fix the component by first soldering two diagonally-opposite end leads. Use only a low voltage soldering iron (less than 24 V) applied to the flat part of the lead. Contact time must be limited to 10 seconds at up to 300 °C. When using a dedicated tool, all other leads can be soldered in one operation within 2 to 5 seconds between 270 and 320 °C.

---

**Image reject 1 800 MHz transceiver  
for DECT applications**


---

UAA2067G

**DEFINITIONS**

<b>Data sheet status</b>	
Objective specification	This data sheet contains target or goal specifications for product development.
Preliminary specification	This data sheet contains preliminary data; supplementary data may be published later.
Product specification	This data sheet contains final product specifications.
<b>Limiting values</b>	
Limiting values given are in accordance with the Absolute Maximum Rating System (IEC 134). Stress above one or more of the limiting values may cause permanent damage to the device. These are stress ratings only and operation of the device at these or at any other conditions above those given in the Characteristics sections of the specification is not implied. Exposure to limiting values for extended periods may affect device reliability.	
<b>Application information</b>	
Where application information is given, it is advisory and does not form part of the specification.	

**LIFE SUPPORT APPLICATIONS**

These products are not designed for use in life support appliances, devices, or systems where malfunction of these products can reasonably be expected to result in personal injury. Philips customers using or selling these products for use in such applications do so at their own risk and agree to fully indemnify Philips for any damages resulting from such improper use or sale.

---

Image reject 1 800 MHz transceiver  
for DECT applications

---

UAA2067G

**NOTES**

---

Image reject 1 800 MHz transceiver  
for DECT applications

---

UAA2067G

**NOTES**

Image reject 1 800 MHz transceiver  
for DECT applications

UAA2067G

---

**NOTES**

# Philips Semiconductors – a worldwide company

**Argentina:** see South America

**Australia:** 34 Waterloo Road, NORTH RYDE, NSW 2113,  
Tel. +61 2 9805 4455, Fax. +61 2 9805 4466

**Austria:** Computerstr. 6, A-1101 WIEN, P.O. Box 213,  
Tel. +43 1 60 101, Fax. +43 1 60 101 1210

**Belarus:** Hotel Minsk Business Center, Bld. 3, r. 1211, Volodarski Str. 6,  
220050 MINSK, Tel. +375 172 200 733, Fax. +375 172 200 773

**Belgium:** see The Netherlands

**Brazil:** see South America

**Bulgaria:** Philips Bulgaria Ltd., Energoproject, 15th floor,  
51 James Bourchier Blvd., 1407 SOFIA,  
Tel. +359 2 689 211, Fax. +359 2 689 102

**Canada:** PHILIPS SEMICONDUCTORS/COMPONENTS,  
Tel. +1 800 234 7381

**China/Hong Kong:** 501 Hong Kong Industrial Technology Centre,  
72 Tat Chee Avenue, Kowloon Tong, HONG KONG,  
Tel. +852 2319 7888, Fax. +852 2319 7700

**Colombia:** see South America

**Czech Republic:** see Austria

**Denmark:** Prags Boulevard 80, PB 1919, DK-2300 COPENHAGEN S,  
Tel. +45 32 88 2636, Fax. +45 31 57 1949

**Finland:** Sinikalliontie 3, FIN-02630 ESPOO,  
Tel. +358 9 615800, Fax. +358 9 61580/xxx

**France:** 4 Rue du Port-aux-Vins, BP317, 92156 SURESNES Cedex,  
Tel. +33 1 40 99 6161, Fax. +33 1 40 99 6427

**Germany:** Hammerbrookstraße 69, D-20097 HAMBURG,  
Tel. +49 40 23 53 60, Fax. +49 40 23 536 300

**Greece:** No. 15, 25th March Street, GR 17778 TAVROS/ATHENS,  
Tel. +30 1 4894 339/239, Fax. +30 1 4814 240

**Hungary:** see Austria

**India:** Philips INDIA Ltd, Shivsagar Estate, A Block, Dr. Annie Besant Rd.  
Worli, MUMBAI 400 018, Tel. +91 22 4938 541, Fax. +91 22 4938 722

**Indonesia:** see Singapore

**Ireland:** Newstead, Clonskeagh, DUBLIN 14,  
Tel. +353 1 7640 000, Fax. +353 1 7640 200

**Israel:** RAPAC Electronics, 7 Kehilat Saloniki St, TEL AVIV 61180,  
Tel. +972 3 645 0444, Fax. +972 3 649 1007

**Italy:** PHILIPS SEMICONDUCTORS, Piazza IV Novembre 3,  
20124 MILANO, Tel. +39 2 6752 2531, Fax. +39 2 6752 2557

**Japan:** Philips Bldg 13-37, Kohnan 2-chome, Minato-ku, TOKYO 108,  
Tel. +81 3 3740 5130, Fax. +81 3 3740 5077

**Korea:** Philips House, 260-199 Itaewon-dong, Yongsan-ku, SEOUL,  
Tel. +82 2 709 1412, Fax. +82 2 709 1415

**Malaysia:** No. 76 Jalan Universiti, 46200 PETALING JAYA, SELANGOR,  
Tel. +60 3 750 5214, Fax. +60 3 757 4880

**Mexico:** 5900 Gateway East, Suite 200, EL PASO, TEXAS 79905,  
Tel. +9-5 800 234 7381

**Middle East:** see Italy

**Netherlands:** Postbus 90050, 5600 PB EINDHOVEN, Bldg. VB,  
Tel. +31 40 27 82785, Fax. +31 40 27 88399

**New Zealand:** 2 Wagener Place, C.P.O. Box 1041, AUCKLAND,  
Tel. +64 9 849 4160, Fax. +64 9 849 7811

**Norway:** Box 1, Manglerud 0612, OSLO,  
Tel. +47 22 74 8000, Fax. +47 22 74 8341

**Philippines:** Philips Semiconductors Philippines Inc.,  
106 Valero St. Salcedo Village, P.O. Box 2108 MCC, MAKATI,  
Metro MANILA, Tel. +63 2 816 6380, Fax. +63 2 817 3474

**Poland:** Ul. Lukiska 10, PL 04-123 WARSZAWA,  
Tel. +48 22 612 2831, Fax. +48 22 612 2327

**Portugal:** see Spain

**Romania:** see Italy

**Russia:** Philips Russia, Ul. Usatcheva 35A, 119048 MOSCOW,  
Tel. +7 095 247 9145, Fax. +7 095 247 9144

**Singapore:** Lorong 1, Toa Payoh, SINGAPORE 1231,  
Tel. +65 350 2538, Fax. +65 251 6500

**Slovakia:** see Austria

**Slovenia:** see Italy

**South Africa:** S.A. PHILIPS Pty Ltd., 195-215 Main Road Martindale,  
2092 JOHANNESBURG, P.O. Box 7430 Johannesburg 2000,  
Tel. +27 11 470 5911, Fax. +27 11 470 5494

**South America:** Rua do Rocio 220, 5th floor, Suite 51,  
04552-903 São Paulo, SÃO PAULO - SP, Brazil,  
Tel. +55 11 821 2333, Fax. +55 11 829 1849

**Spain:** Balmes 22, 08007 BARCELONA,  
Tel. +34 3 301 6312, Fax. +34 3 301 4107

**Sweden:** Kottbygatan 7, Akalla, S-16485 STOCKHOLM,  
Tel. +46 8 632 2000, Fax. +46 8 632 2745

**Switzerland:** Allmendstrasse 140, CH-8027 ZÜRICH,  
Tel. +41 1 488 2686, Fax. +41 1 481 7730

**Taiwan:** PHILIPS TAIWAN Ltd., 23-30F, 66,  
Chung Hsiao West Road, Sec. 1, P.O. Box 22978,  
TAIPEI 100, Tel. +886 2 382 4443, Fax. +886 2 382 4444

**Thailand:** PHILIPS ELECTRONICS (THAILAND) Ltd.,  
209/2 Sanpavuth-Bangna Road Prakanong, BANGKOK 10260,  
Tel. +66 2 745 4090, Fax. +66 2 398 0793

**Turkey:** Talatpasa Cad. No. 5, 80640 GÜLTEPE/ISTANBUL,  
Tel. +90 212 279 2770, Fax. +90 212 282 6707

**Ukraine:** PHILIPS UKRAINE, 4 Patrice Lumumba str., Building B, Floor 7,  
252042 KIEV, Tel. +380 44 264 2776, Fax. +380 44 268 0461

**United Kingdom:** Philips Semiconductors Ltd., 276 Bath Road, Hayes,  
MIDDLESEX UB3 5BX, Tel. +44 181 730 5000, Fax. +44 181 754 8421

**United States:** 811 East Arques Avenue, SUNNYVALE, CA 94088-3409,  
Tel. +1 800 234 7381

**Uruguay:** see South America

**Vietnam:** see Singapore

**Yugoslavia:** PHILIPS, Trg N. Pasica 5/v, 11000 BEOGRAD,  
Tel. +381 11 625 344, Fax. +381 11 635 777

**For all other countries apply to:** Philips Semiconductors, Marketing & Sales Communications,  
Building BE-p, P.O. Box 218, 5600 MD EINDHOVEN, The Netherlands, Fax. +31 40 27 24825

**Internet:** <http://www.semiconductors.philips.com>

© Philips Electronics N.V. 1996

SCA52

All rights are reserved. Reproduction in whole or in part is prohibited without the prior written consent of the copyright owner.

The information presented in this document does not form part of any quotation or contract, is believed to be accurate and reliable and may be changed without notice. No liability will be accepted by the publisher for any consequence of its use. Publication thereof does not convey nor imply any license under patent- or other industrial or intellectual property rights.

Printed in The Netherlands

647021/1200/02/pp24

Date of release: 1996 Oct 22

Document order number: 9397 750 01437

*Let's make things better.*

**Philips**  
Semiconductors



**PHILIPS**